

The Healthy Fireplace

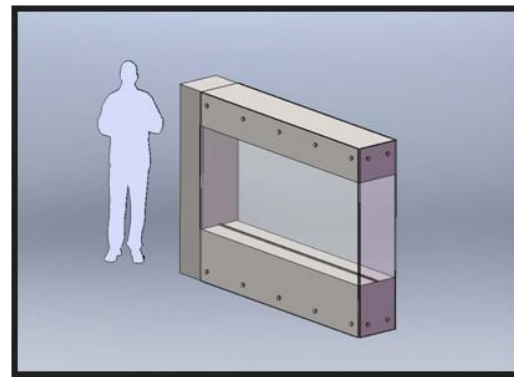
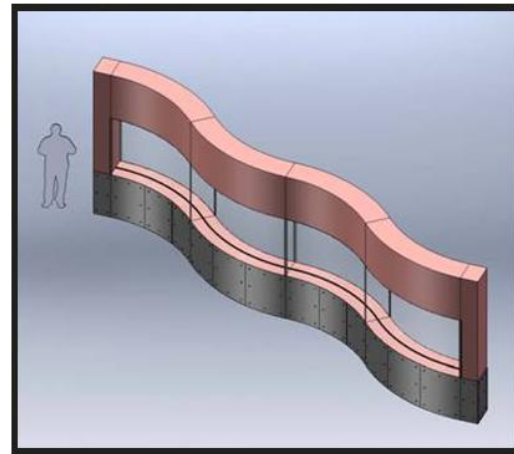
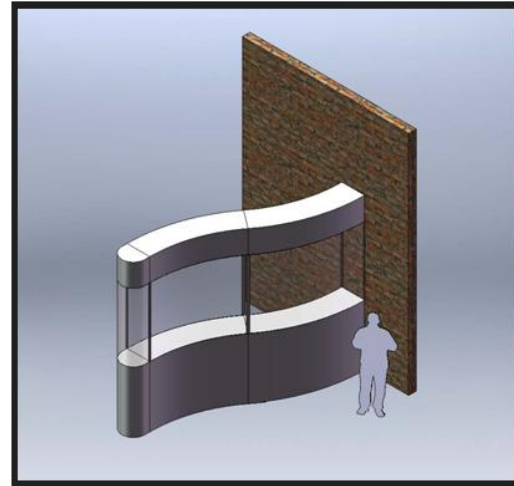
CARBON MONOXIDE-FREE FIREPLACE

In today's world there are many considerations that are critical in making informed design decisions. Designers and owners want their installations to be **beautiful, efficient, safe, economical and sustainable**. Natural gas is a natural choice which satisfies all these requirements.

By using direct venting the fireplace has **no effect on the room air**. They do not rob oxygen, nor inject exhaust into the room. It also makes the products more stable and less able to be affected by the environment they are placed in, particularly important in restaurants, hotels, etc.

You may be considering a bio-fuel fireplace. Below are some facts comparing a Firelab natural gas fireplace to an ethanol unit:

- TCO (Total Cost of Ownership) of a natural gas fireplace realizes an **80% savings** on fuel expenses over ethanol in commercial settings.
- The same size ethanol fireplace can cost almost 20 times more than a natural gas fireplace over 10 years of operation.
- **The cost of burning 1 foot of an ethanol linear flame (8 inches high) is approximately \$20 (\$18.95 USD retail/gallon) for 6 hours. That is approx. \$15,000 at wholesale (\$10/gallon) PER FOOT running 24/7.**
- A 3 year ROI (Return on Investment) is typical.
- Natural gas fireplaces create no mess and are easy to maintain.
- Natural gas is **convenient, safe inexpensive and always available**.
- A proprietary heat recovery option saves money and adds value.
- **Can be certified worldwide: UL, CSA & CE**



Electrical Gas & Beyond

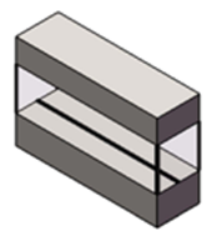
7940 Jean Brillon
Montreal QC H8N2L5
514.524.1831 / 1 888 TO LUMID
www.lumid.com / www.firelab.com



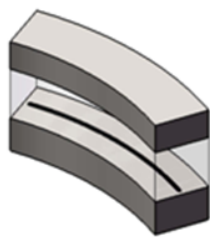
**CUSTOMIZABLE
MODULAR FIREPLACES**

where
no
fire
has
gone
before

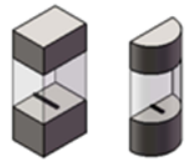
MODULES:



STRAIGHT BODY



CURVED BODY



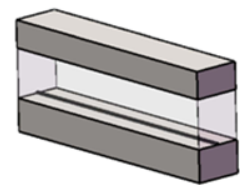
END UNITS (STRAIGHT OR CURVED, GLASS OR METAL)

MODULARITY

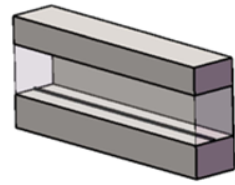
4 BASIC MODULES

STRAIGHT OR CURVED EXHAUST THROUGH WALL, FLOOR OR CHIMNEY GLASS ON ONE SIDE TO ALL SIDES USE AS FEW OR AS MANY MODULES TO GET THE OVERALL LENGTH YOU WANT USE OUR STANDARD FINISHES OR SPECIFY YOUR OWN ALL ONE HEIGHT OR STAGGER THEM

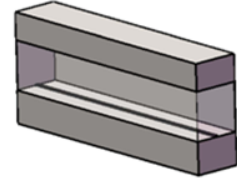
GLASS OPTIONS:



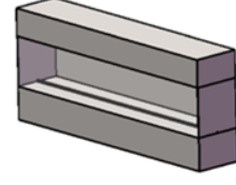
4 SIDES GLASS



3 SIDES GLASS



2 SIDES GLASS



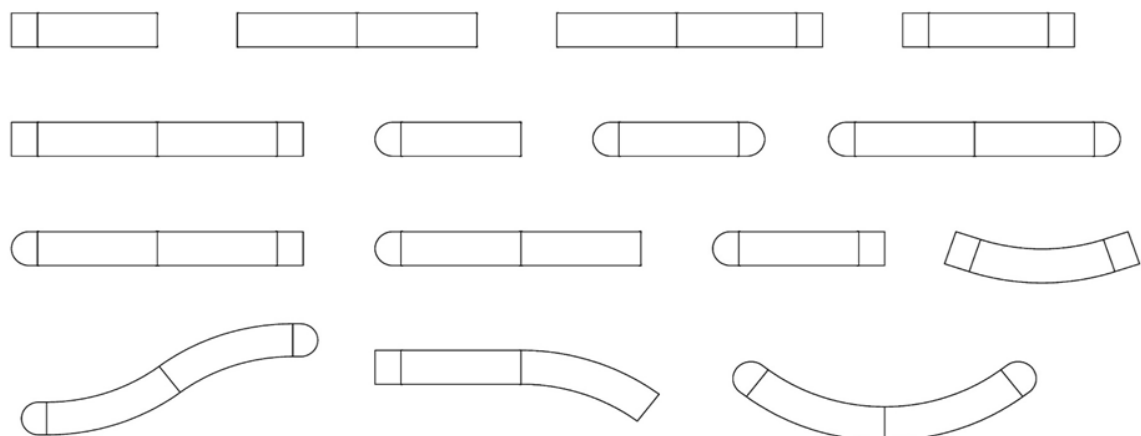
ONE SIDE GLASS

All glass is borosilicate, a clear heat-resistant glass

CUSTOMIZABLE STANDARDS

Customizable standards? Well-known for its custom lighting designs, Lumid introduced Firelab to show the fiery side of lighting. Now we introduce the modular side of custom. All of our standard modules are UL certified already which is reflected in lower pricing and faster lead-times. However, all modules can be customized to whatever dimensions you need (with only a few exceptions).

POSSIBLE COMBINATIONS:

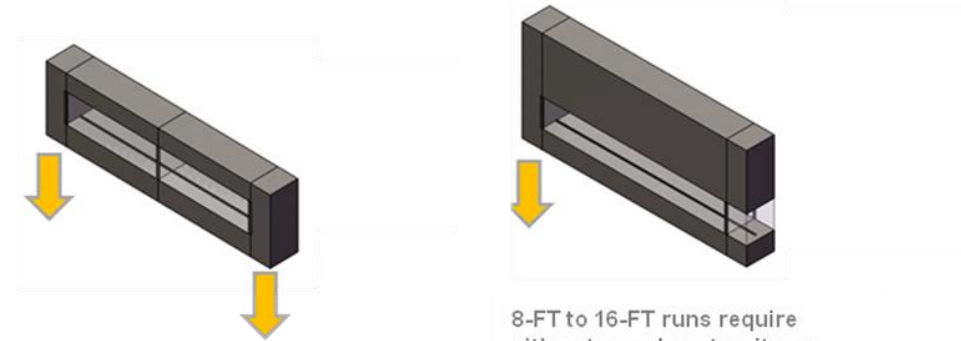
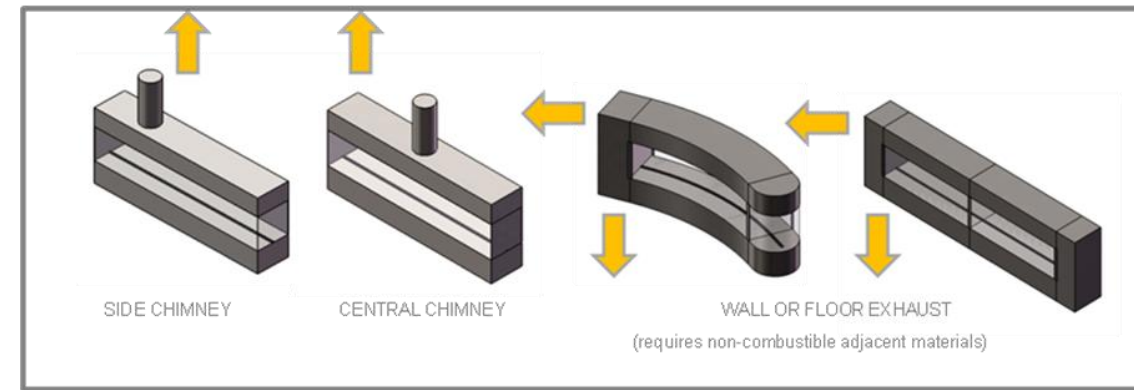


Remote-control included

Apps for smart phones Available

Variable flame height available

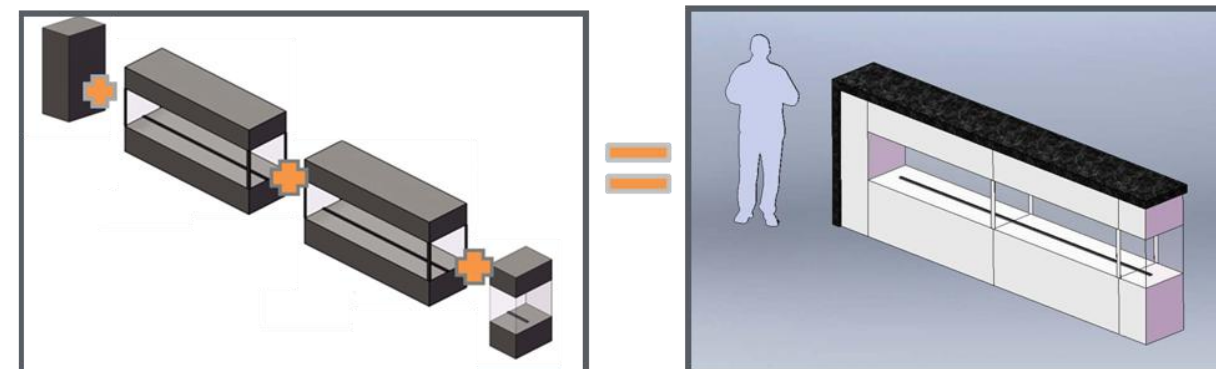
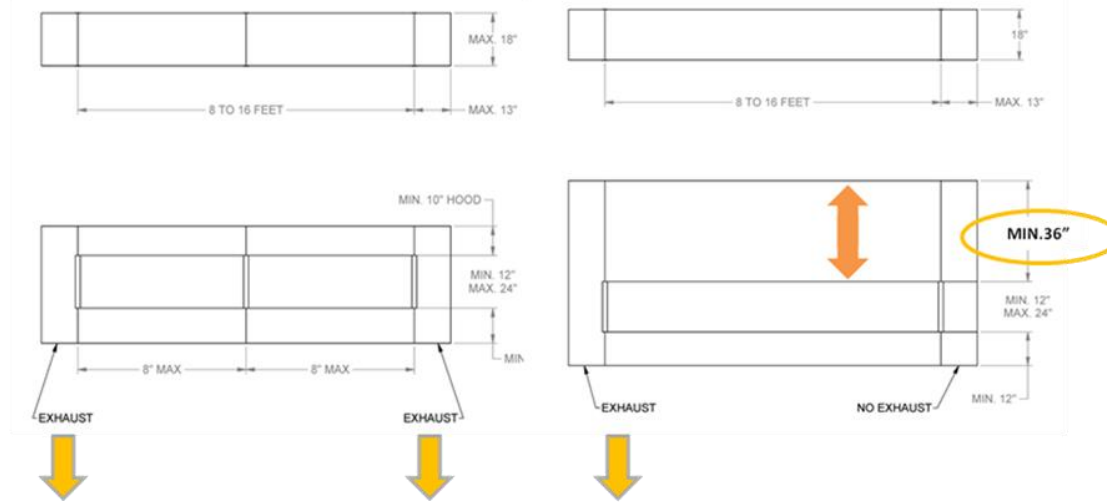
VENTING OPTIONS:



One exhaust per 8-FT length with a 10-in hood

8-FT to 16-FT runs require either two exhaust units or hood must be a minimum 36-in high

Over 16-FT in length? No problem! Just call us



We also do straight